

ROSE PRECISION

SPHERICAL BEARINGS

ROD ENDS

ground track

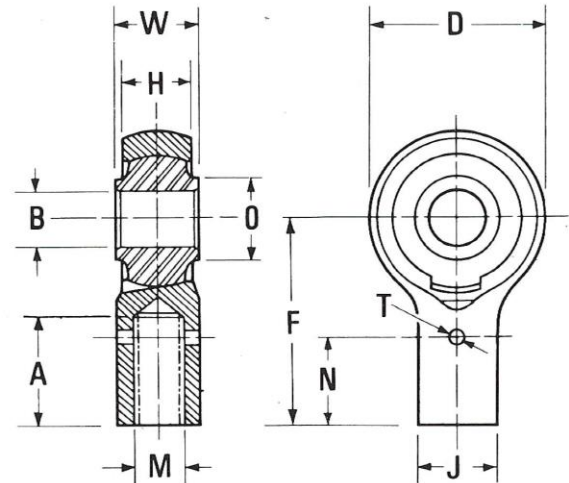
SPECIFICATION

HOUSING NICKEL CHROMIUM MOLYBDENUM STEEL, HEAT TREATED TO 80/90 TONS TENSILE (EN25, KE805, OR EQUIVALENT).

FINISH BLACK ENAMEL EXCEPT ON BEARING SURFACE AND FACES.

BALL ONE PER CENT CARBON CHROMIUM STEEL (EN31 OR EQUIVALENT) HEAT TREATED TO 60/62 ROCKWELL 'C'.

ALL DIMENSIONS GIVEN IN INCHES.



RBJ series female thread

| BEARING NUMBER | B | W | H | O | D | F | A | J | N | T | M | | Ball Diameter | Maximum Static Load in Pounds Approx. | Weight in Pounds Approx. |
|----------------|----------------------|------------------|------------------|--------------------|------------------|------------------|------------------|------------------|------------------|------|------------|-----|---------------|---------------------------------------|--------------------------|
| | Bore | Ball Width | Housing Width | Ball Flat Diameter | Head Diameter | Centre Length | Thread Length | | | | Medium Fit | | | | |
| | +0.00025 -0.00025 | +0.000 -0.005 | +0.005 -0.005 | | +0.010 -0.010 | +0.010 -0.010 | +0.010 -0.010 | +0.005 -0.010 | +0.005 -0.005 | | | BSF | | | |
| RBJ 7 | .250 | .375 | .320 | .375 | .812 | 1.125 | .560 | .400 | .375 | .062 | 1/4 | RH | .625 | 2,800 | .055 |
| RBJ 8 | .250 | .375 | .320 | .375 | .812 | 1.125 | .560 | .400 | .375 | .062 | 1/4 | LH | .625 | 2,800 | .055 |
| RBJ 10 | .312 | .437 | .375 | .437 | .937 | 1.312 | .687 | .437 | .500 | .093 | 5/16 | RH | .720 | 4,400 | .082 |
| RBJ 11 | .312 | .437 | .375 | .437 | .937 | 1.312 | .687 | .437 | .500 | .093 | 5/16 | LH | .720 | 4,400 | .082 |
| FORGINGS | +0.00025 -0.00025 | +0.000 -0.005 | +0.005 -0.005 | | +0.030 -0.010 | +0.010 -0.010 | +0.010 -0.010 | +0.030 -0.010 | +0.005 -0.005 | | | | | | |
| RBJ 13 | .375 | .562 | .480 | .562 | 1.218 | 1.625 | .840 | .600 | .562 | .093 | 3/8 | RH | .937 | 6,300 | .198 |
| RBJ 14 | .375 | .562 | .480 | .562 | 1.218 | 1.625 | .840 | .600 | .562 | .093 | 3/8 | LH | .937 | 6,300 | .198 |
| RBJ 16 | .500 | .750 | .640 | .750 | 1.625 | 2.125 | 1.120 | .800 | .750 | .125 | 1/2 | RH | 1.250 | 11,200 | .463 |
| RBJ 17 | .500 | .750 | .640 | .750 | 1.625 | 2.125 | 1.120 | .800 | .750 | .125 | 1/2 | LH | 1.250 | 11,200 | .463 |
| | +0.0005 -0.00025 | +0.000 -0.005 | +0.005 -0.005 | | +0.030 -0.010 | +0.010 -0.010 | +0.010 -0.010 | +0.030 -0.010 | +0.005 -0.005 | | | | | | |
| RBJ 19 | .625 | .875 | .750 | .875 | 1.937 | 2.625 | 1.375 | 1.000 | 1.000 | .125 | 5/8 | RH | 1.437 | 17,500 | .687 |
| RBJ 20 | .625 | .875 | .750 | .875 | 1.937 | 2.625 | 1.375 | 1.000 | 1.000 | .125 | 5/8 | LH | 1.437 | 17,500 | .687 |
| RBJ 22 | .750 | .875 | .812 | 1.000 | 2.125 | 3.125 | 1.750 | 1.125 | 1.125 | .125 | 3/4 | RH | 1.500 | 25,000 | .875 |
| RBJ 23 | .750 | .875 | .812 | 1.000 | 2.125 | 3.125 | 1.750 | 1.125 | 1.125 | .125 | 3/4 | LH | 1.500 | 25,000 | .875 |

All rod ends having a bore greater than 1/2" diameter are fitted with lubricators.

For further information refer to Technical index.